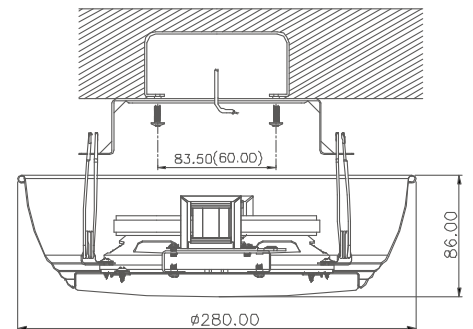
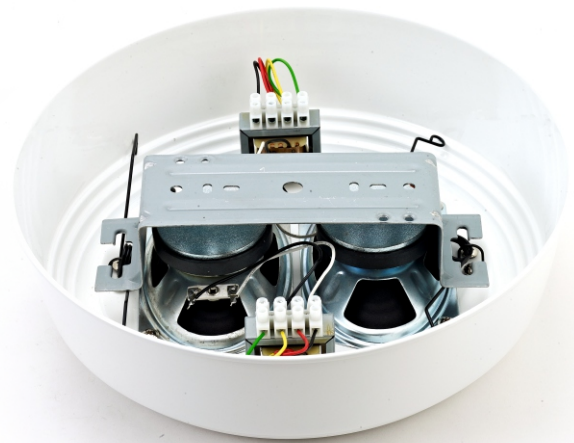


A/B 2-LINE SURFACE MOUNT CEILING SPEAKER



Unit: mm

SPECIFICATIONS

Model No.	CS-602
Rated Power (rms)	6W
Speaker	3"x5" Full Range, Dual Cone (A/B 2-LINES)
Power Rating(100V)	6W - 3W - 1.5W
Impedance	1667Ω - 3333Ω - 6667Ω
S.P.L.(at 1W/1M)	88dB
Maximum Acoustic Pressure	95dB
Frequency Response(-10dB)	180 Hz ~ 20k Hz
Dispersion 1KHz / 4KHz	120° / 90°
Ambient Temperature	-20°C ~ +60°C
Dimension	274.4mm(Dia.)x86.5mm(H)
Material	Steel
Colour	White
Weight	1.5Kg

